

# SEG-6MB-(310-330)W/B

SERIES 6 INCH 60 CELLS



# SEG

## Safety



Resistance to salt mist corrosion at your request

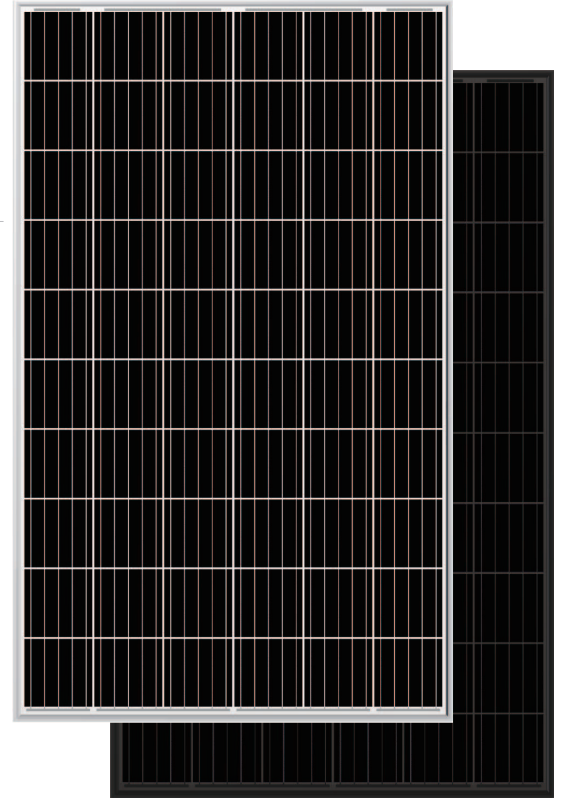


Resistance to ammonia corrosion at your request



Product is certified by UL1703

## 310-330W PERC



## Reliability



Anti-PID products using advanced module technology



World 1st company to pass "Thresher Test" and "On-site Power Measurement Validation" certificate

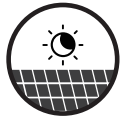


Bankable products

## Performance



Withstand high system voltage up to 1500V to save BoS Cost

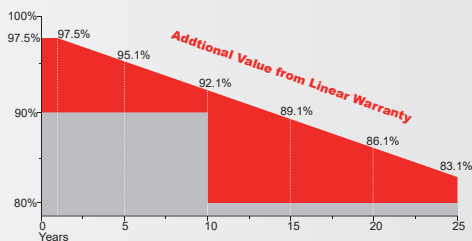


Outstanding power output capability at low irradiance



Withstand up to 2400Pa wind and 5400Pa snow loads(IEC), long lasting

## WARRANTY



**15**  
YEARS

Guarantee on product material and workmanship

**25**  
YEARS

Linear power output warranty

## MANAGEMENT SYSTEM

ISO 9001: Quality management system

ISO 14001: Standard for environmental management system

OHSAS 18001: International standard for occupational health and safety assessment system

## PRODUCT CERTIFICATES



## INSURANCE

**PICC**

# SEG-6MB-(310-330)W/B SERIES 6 INCH 60 CELLS



WW: WHITE BACK-SHEET / SILVER FRAME PRODUCTS  
 WB: WHITE BACK-SHEET ,BLACK SILVER FRAME PRODUCTS  
 BW: BLACK BACK-SHEET ,WHITE SILVER FRAME PRODUCTS  
 BB: BLACK BACK-SHEET / SILVER FRAME PRODUCTS

## Electrical Characteristics(STC)

Module Type	SEG-6MB-310BW SEG-6MB-310BB	SEG-6MB-315WW SEG-6MB-315WB SEG-6MB-315BW SEG-6MB-315BB	SEG-6MB-320WW SEG-6MB-320WB SEG-6MB-320BW SEG-6MB-320BB	SEG-6MB-325WW SEG-6MB-325WB SEG-6MB-325BW SEG-6MB-325BB	SEG-6MB-330WW SEG-6MB-330WB
Maximum Power at STC - $P_{mp}$ (W)	310	315	320	325	330
Open Circuit Voltage - $V_{oc}$ (V)	40.2	40.4	40.6	40.8	41.1
Short Circuit Current - $I_{sc}$ (A)	9.82	9.92	10.02	10.11	10.19
Maximum Power Voltage - $V_{mp}$ (V)	32.6	32.8	33.0	33.2	33.5
Maximum Power Current - $I_{mp}$ (A)	9.51	9.61	9.70	9.79	9.86
Module Efficiency STC- $\eta_m$ (%)	18.58	18.88	19.18	19.48	19.78
Power Tolerance (W)	(0,+4.99)				
Maximum System Voltage (V)	1000 or 1500(UL)				
Maximum Series Fuse Rating (A)	20				
Fire Performance	Type2 or Type1(UL)				

## Electrical Characteristics(NOCT)

Module Type	SEG-6MB-310BW SEG-6MB-310BB	SEG-6MB-315WW SEG-6MB-315WB SEG-6MB-315BW SEG-6MB-315BB	SEG-6MB-320WW SEG-6MB-320WB SEG-6MB-320BW SEG-6MB-320BB	SEG-6MB-325WW SEG-6MB-325WB SEG-6MB-325BW SEG-6MB-325BB	SEG-6MB-330WW SEG-6MB-330WB
Maximum Power at NOCT - $P_{mp}$ (W)	230	234	238	242	246
Open Circuit Voltage - $V_{oc}$ (V)	37.1	37.3	37.5	37.7	38.0
Short Circuit Current - $I_{sc}$ (A)	7.96	8.05	8.14	8.21	8.27
Maximum Power Voltage - $V_{mp}$ (V)	30.7	30.9	31.2	31.4	31.7
Maximum Power Current - $I_{mp}$ (A)	7.50	7.58	7.64	7.70	7.77

## Temperature Characteristics

Pmax Temperature Coefficient	-0.36 %/°C
Voc Temperature Coefficient	-0.28 %/°C
Isc Temperature Coefficient	+0.05 %/°C
Operating Temperature	-40~+85 °C
Nominal Operating Cell Temperature (NOCT)	45±2 °C

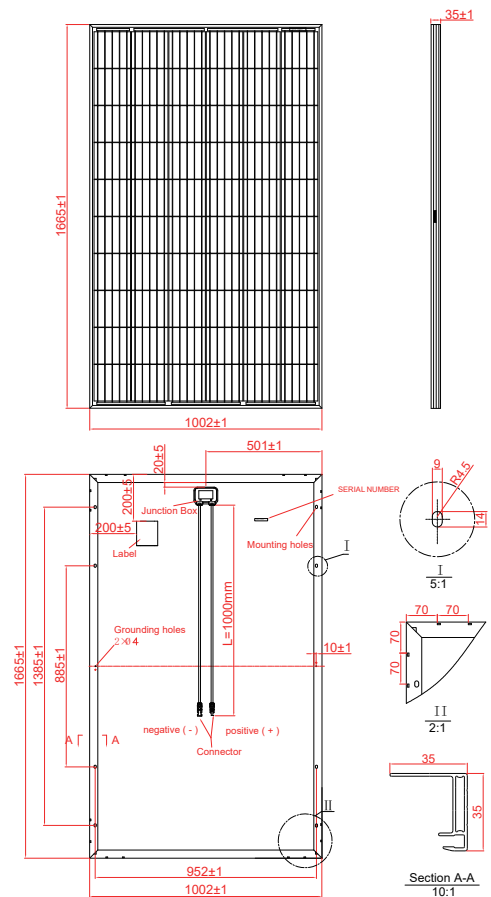
## Packing Configuration

	1665 x 1002 x 35mm (65.55×39.45×1.38 inch)
Container	40'GP
Pieces per Pallet	30
Pallets per Container	26
Pieces per Container	780

## Mechanical Specifications

External Dimensions	1665 x 1002 x 35 mm (65.55×39.45×1.38 inch)
Weight	18.5 kg (40.82 lbs)
Solar Cells	PERC Monocrystalline, 6 inch (60pcs.)
Front Glass	3.2 mm AR coating tempered glass, low iron
Frame	Anodized aluminium alloy
Junction Box	IP68
Output Cables	12AWG, cable length:1000 mm
Connector	MC4 Compatible

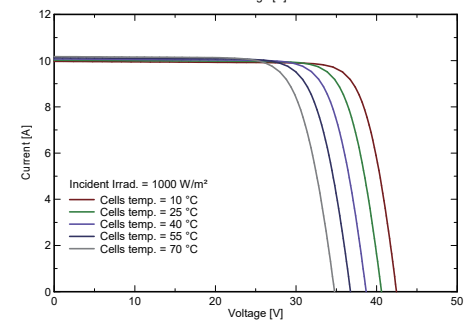
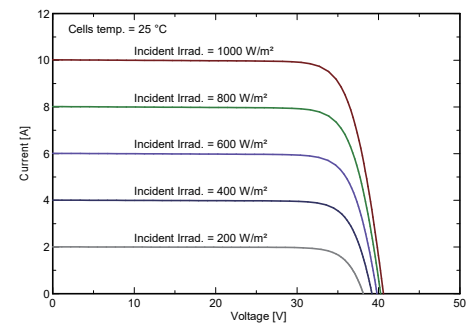
STC: Irradiance 1000 W/m<sup>2</sup>, module temperature 25°C, AM=1.5  
 NOCT: Irradiance 800 W/m<sup>2</sup>, ambient temperature 20°C, wind speed :1m/s  
 Specifications are subject to change without further notification.



\* All Dimensions in mm

\* The above drawing is a graphical representation of the product.

## I-V Curve



Specifications are subject to change without notification SEG-DS-EN-2019V3.0 © Copyright 2019 Seraphim